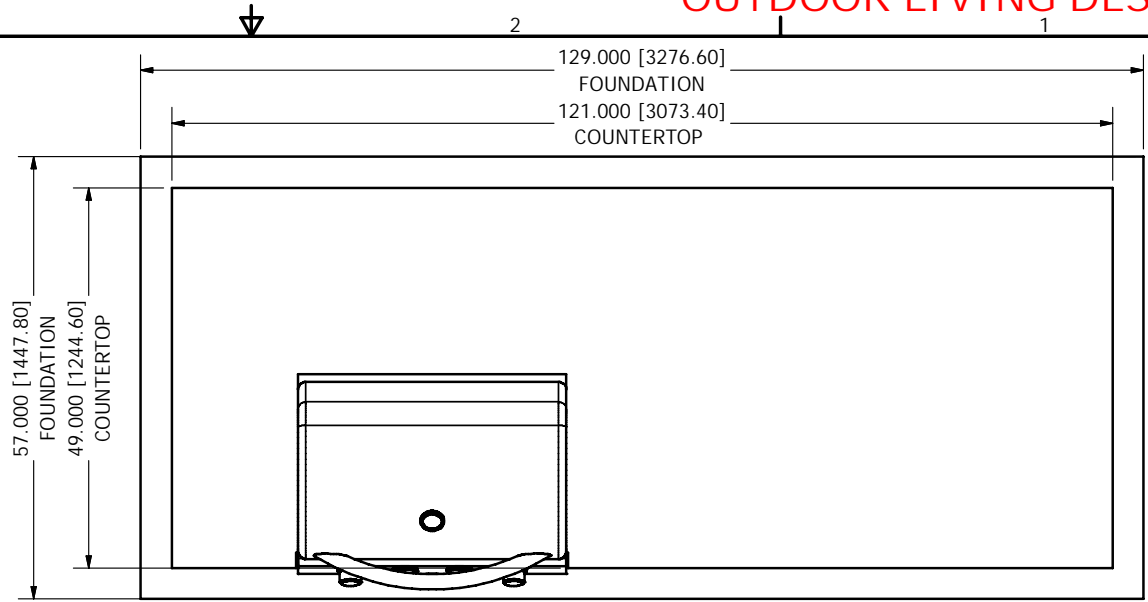
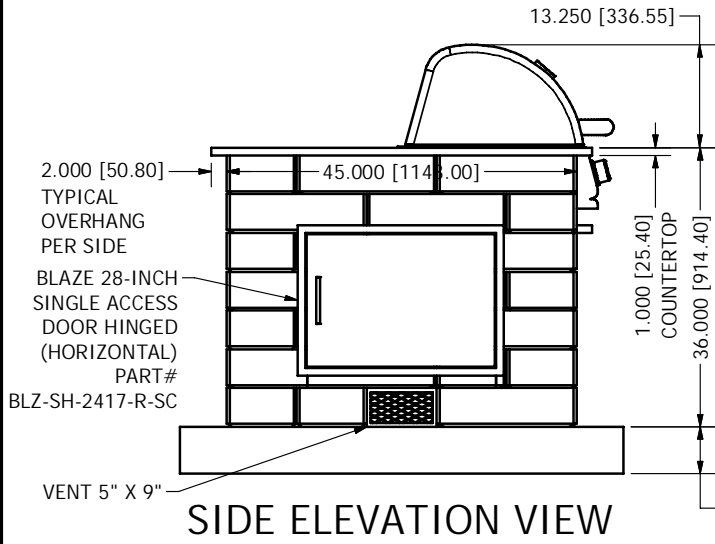


NOTE:

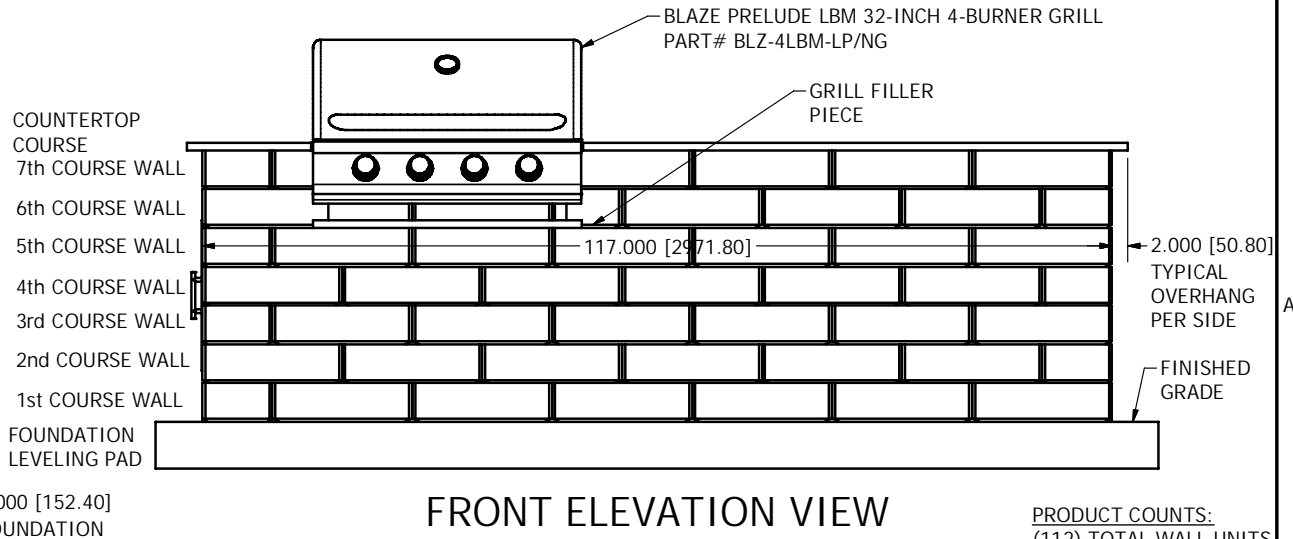
1. WALL UNITS TO BE INSTALLED WITH CHANNEL ON THE BOTTOM SIDE IN ORDER TO GET THE PROPER CONTEMPORARY ESTHETIC LOOK. (WALL PRODUCT TO BE INVERTED 180 DEGREES FROM FINISHED PALLET WHEN INSTALLED).
2. SECURE EACH UNIT USING APPROVED ADHESIVE OR BONDING AGENT FOLLOWING APPLICATION DIRECTIONS PROVIDED BY PRODUCT SUPPLIER.
3. THIS DESIGN REQUIRES CUTTING UNITS TO PROPERLY FIT THE GRILL TOP AND ACCESS DOOR.
4. BUILT-IN GRILL INSERT AND ACCESS DOOR TO BE INSTALLED PER MANUFACTURERS RECOMMENDATIONS.
5. STRUCTURAL SUPPORT FOR BLOCK UNITS OVER OPENINGS ON SHOWN FOR VISUAL PURPOSES.



PLAN VIEW



SIDE ELEVATION VIEW

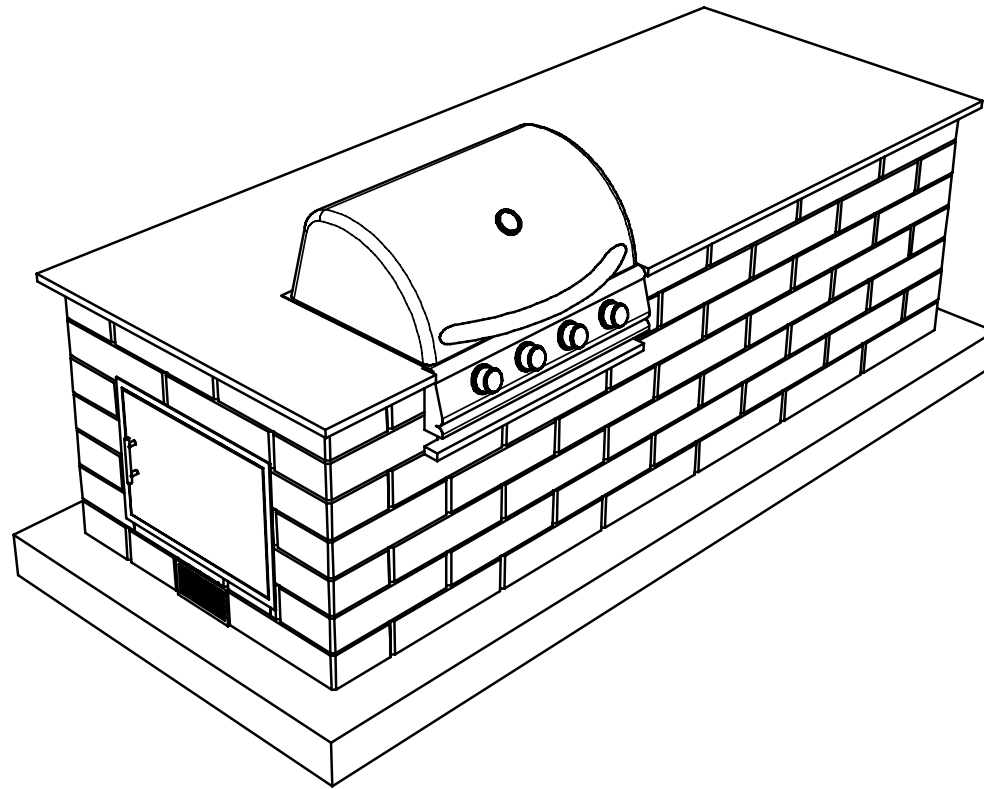


FRONT ELEVATION VIEW

PRODUCT COUNTS:
(112) TOTAL WALL UNITS

PRELIMINARY

OUTDOOR LIVING DESIGNS



ISOMETRIC VIEW

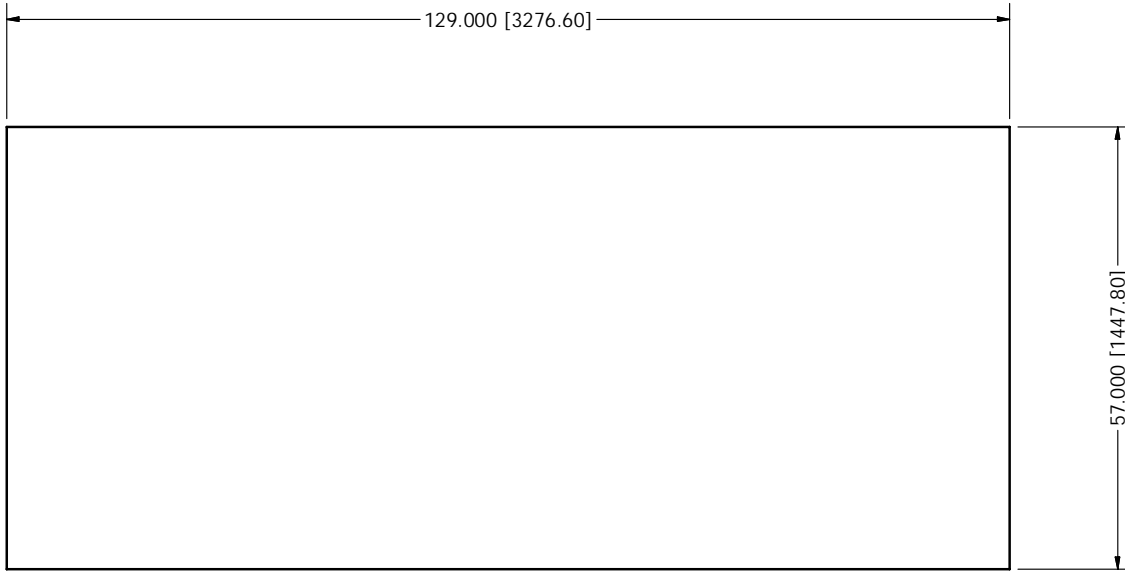
5-29-2024

LENZA - 45 x 117 GRILL TOP - LEFT DOOR DESIGN

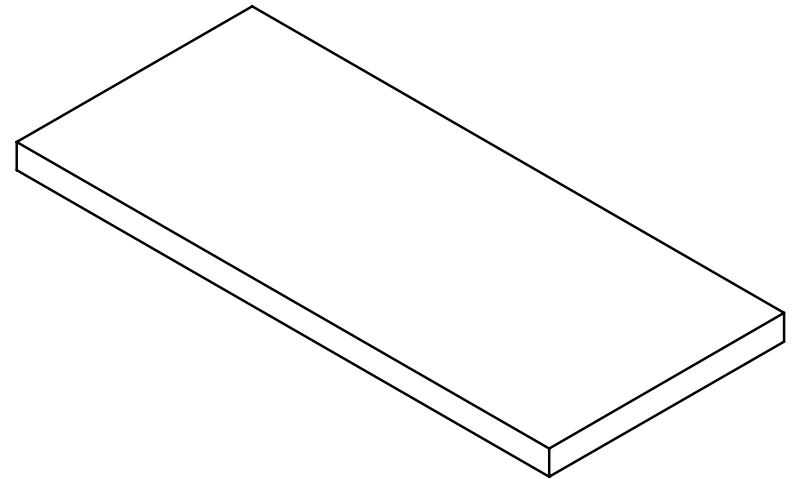
ROBERT LUNDELL
KEYSTONE RETAINING WALL SYSTEMS LLC

PRELIMINARY

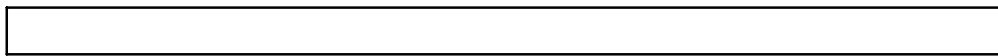
OUTDOOR LIVING DESIGNS



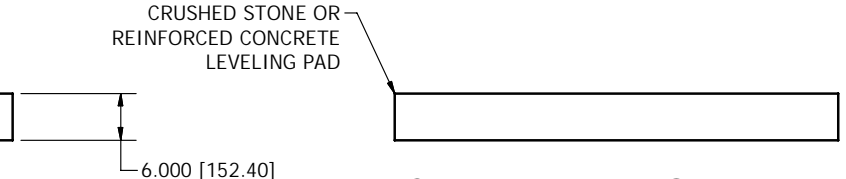
PLAN VIEW



ISOMETRIC VIEW



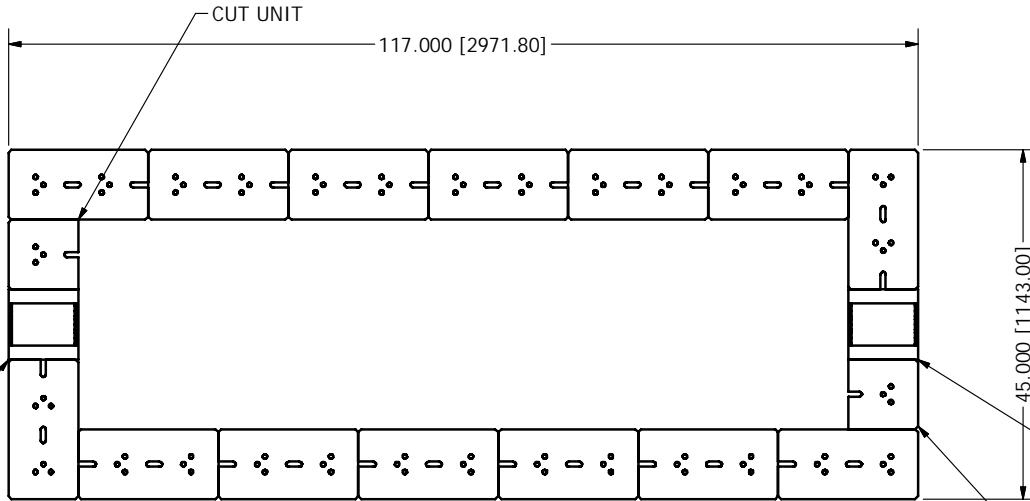
FRONT ELEVATION VIEW



SIDE ELEVATION VIEW

PRELIMINARY

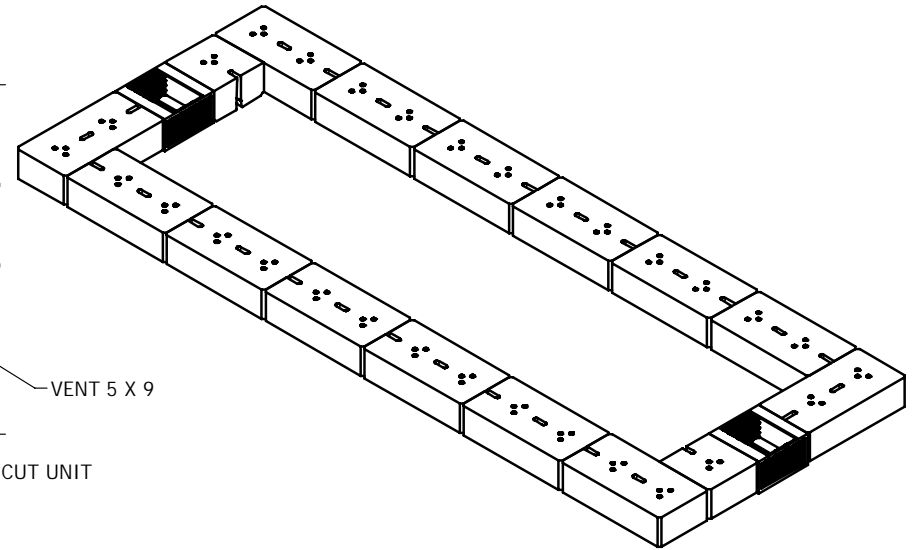
OUTDOOR LIVING DESIGNS



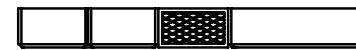
PLAN VIEW



FRONT ELEVATION VIEW



ISOMETRIC VIEW



SIDE ELEVATION VIEW

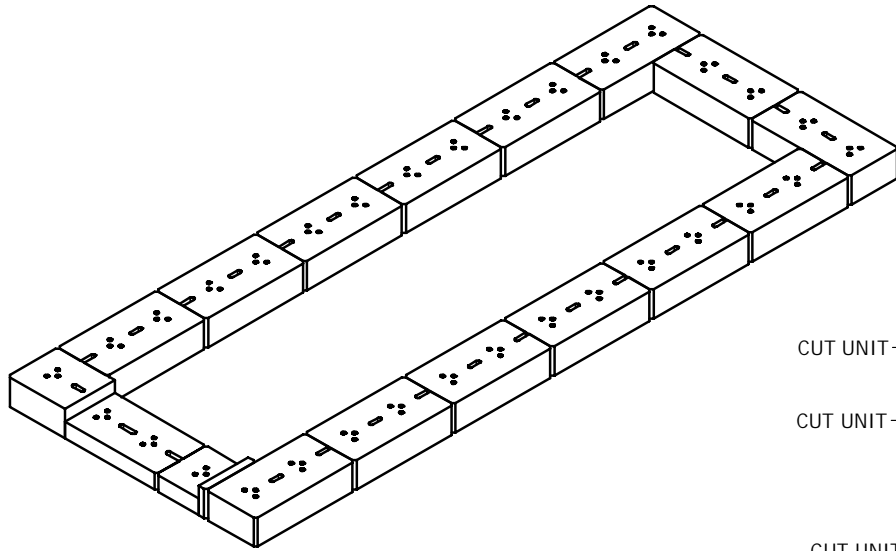
NOTE:

- 1. WALL UNITS TO BE INSTALLED WITH CHANNEL ON THE BOTTOM SIDE (PRODUCT IS TO BE INVERTED 180 DEGREES FROM FINISHED PALLET).

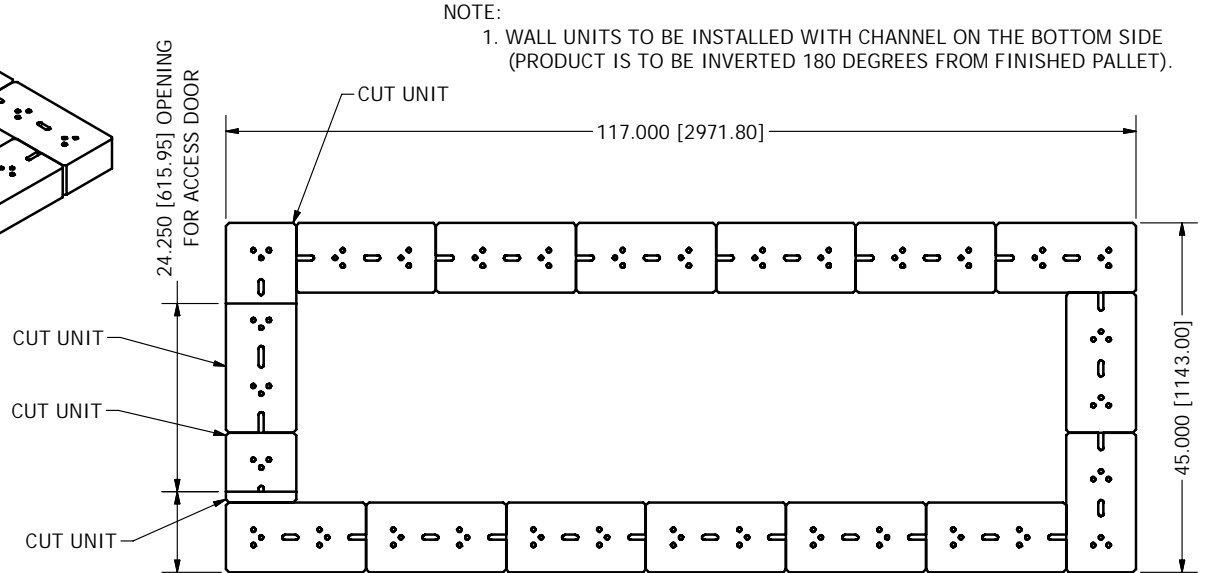
PRODUCT COUNTS:
 (16) TOTAL WALL UNITS

PRELIMINARY

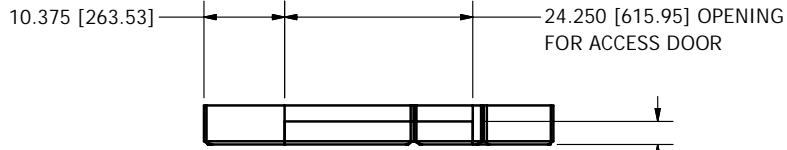
OUTDOOR LIVING DESIGNS



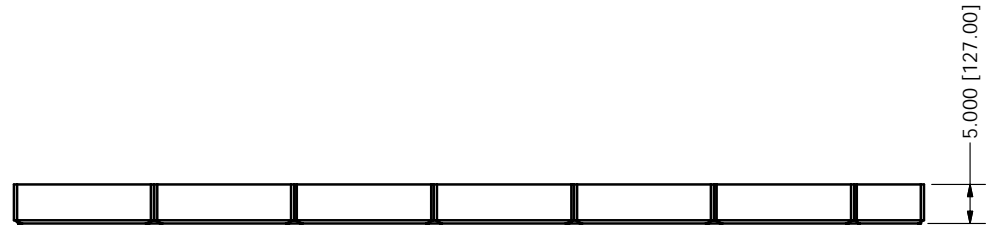
ISOMETRIC VIEW



PLAN VIEW



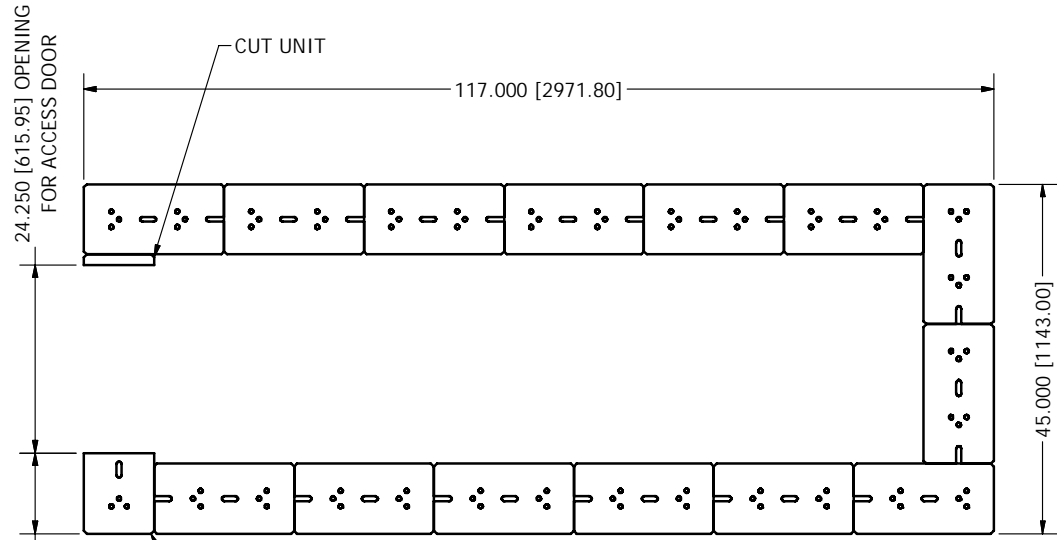
SIDE ELEVATION VIEW



FRONT ELEVATION VIEW

NOTE:
 1. WALL UNITS TO BE INSTALLED WITH CHANNEL ON THE BOTTOM SIDE
 (PRODUCT IS TO BE INVERTED 180 DEGREES FROM FINISHED PALLET).

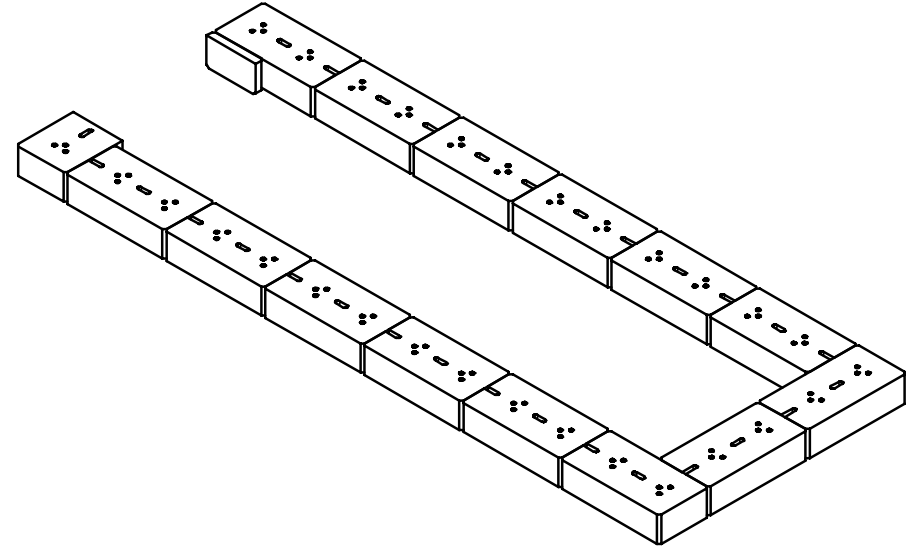
PRODUCT COUNTS:
 (18) TOTAL WALL UNITS



PLAN VIEW

NOTE:

- 1. WALL UNITS TO BE INSTALLED WITH CHANNEL ON THE BOTTOM SIDE (PRODUCT IS TO BE INVERTED 180 DEGREES FROM FINISHED PALLET).



ISOMETRIC VIEW



FRONT ELEVATION VIEW

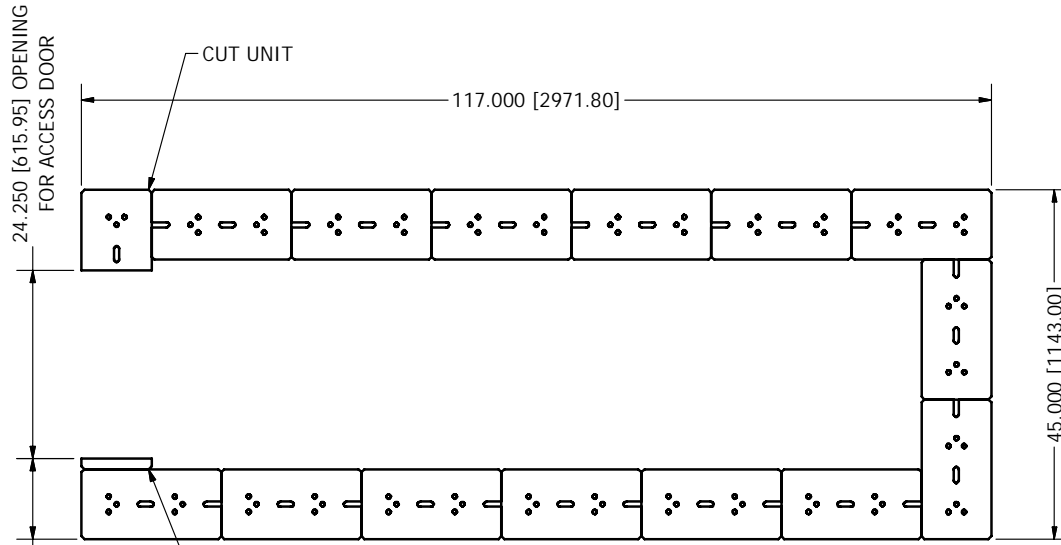


SIDE ELEVATION VIEW

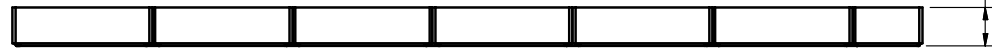
PRODUCT COUNTS:
 (16) TOTAL CAP UNITS

PRELIMINARY

OUTDOOR LIVING DESIGNS



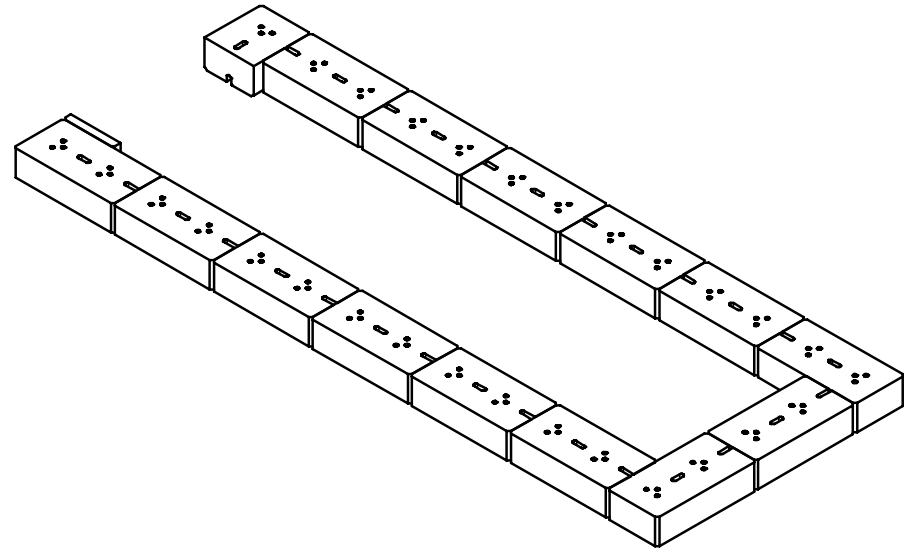
PLAN VIEW



FRONT ELEVATION VIEW

NOTE:

- 1. WALL UNITS TO BE INSTALLED WITH CHANNEL ON THE BOTTOM SIDE (PRODUCT IS TO BE INVERTED 180 DEGREES FROM FINISHED PALLET).

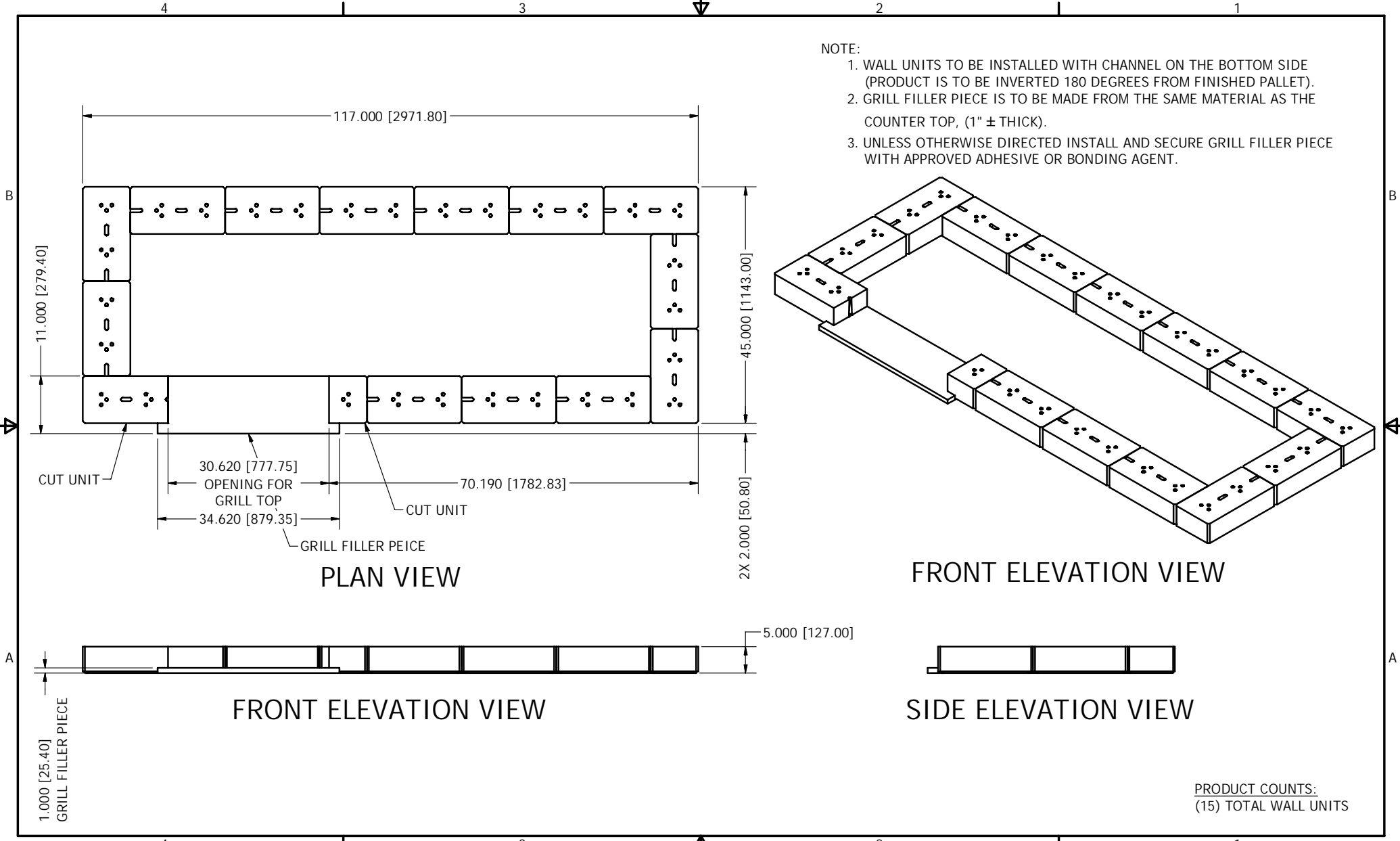


ISOMETRIC VIEW



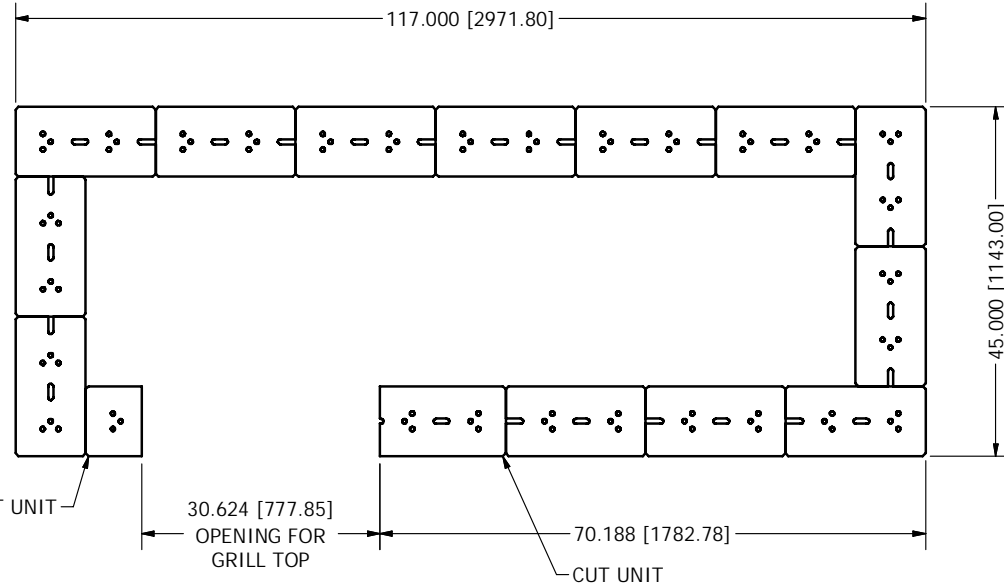
SIDE ELEVATION VIEW

PRODUCT COUNTS:
 (16) TOTAL CAP UNITS



PRODUCT COUNTS:
(15) TOTAL WALL UNITS

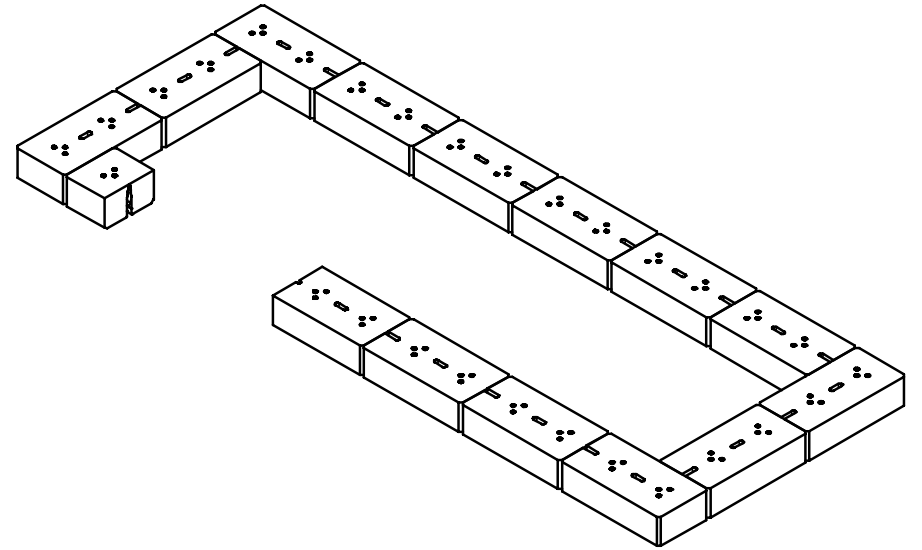
NOTE:
1. WALL UNITS TO BE INSTALLED WITH CHANNEL ON THE BOTTOM SIDE
(PRODUCT IS TO BE INVERTED 180 DEGREES FROM FINISHED PALLET).



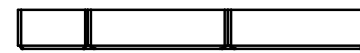
PLAN VIEW



FRONT ELEVATION VIEW



ISOMETRIC VIEW

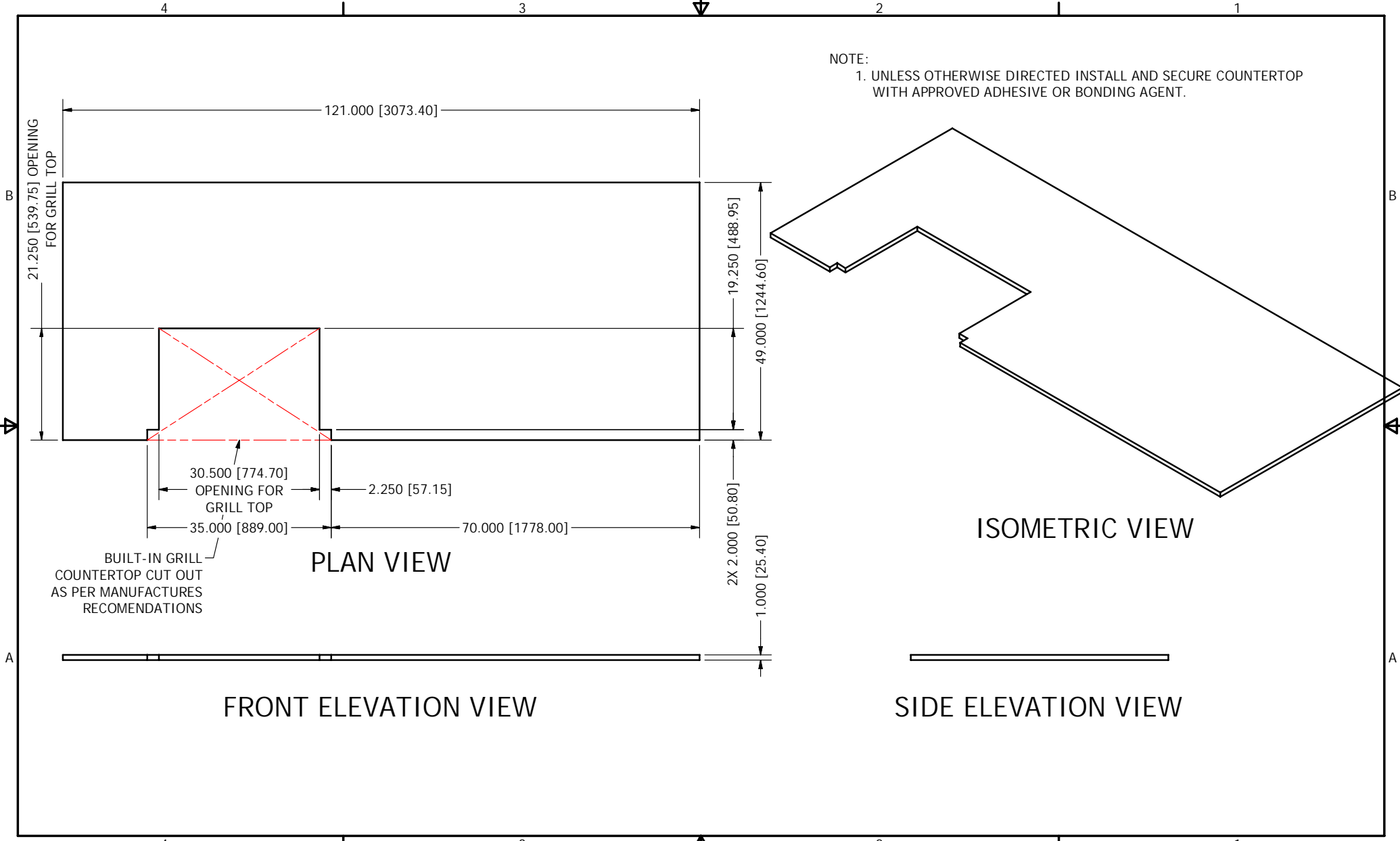


SIDE ELEVATION VIEW

PRODUCT COUNTS:
(15) TOTAL WALL UNITS

PRELIMINARY

OUTDOOR LIVING DESIGNS



5-29-2024

LENZA - 45 x 117 GRILL TOP - LEFT DOOR CUT DESIGN - COUNTERTOP COURSE

ROBERT LUNDELL
KEYSTONE RETAINING WALL SYSTEMS LLC